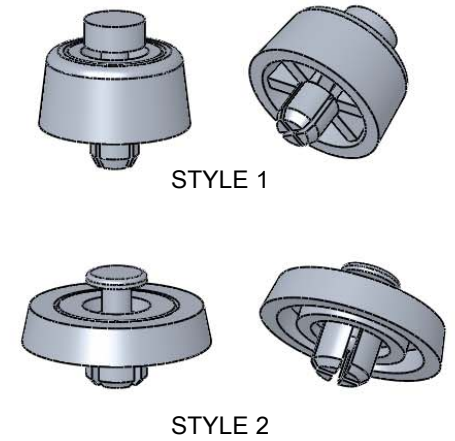
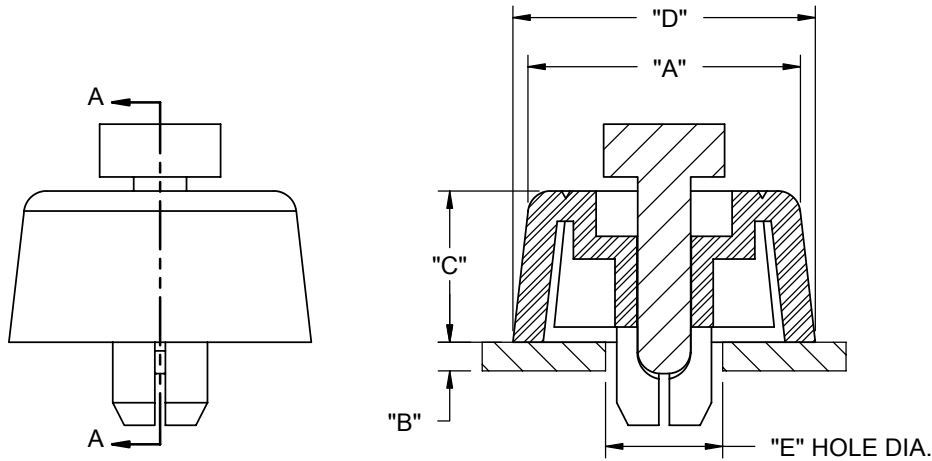


PART NO.	"A" REF	"B" THICKNESS RANGE	"C" REF	"D" REF	"E"±.002 [0.05] DIA. HOLE	STYLE
SFF-018	.71 [18]	.031-.059 [0.8-1.5]	.39 [10]	.79 [20]	.305 [7.75]	1
SFF-021	.79 [20]	.197-.315 [5-8]	.24 [6]	.83 [21]	.305 [7.75]	1
SFF-023	.91 [23]	.031-.059 [0.8-1.5]	.20 [5]	.98 [25]	.305 [7.75]	2
SFF-028	.71 [18]	.031-.059 [0.8-1.5]	.59 [15.]	.79 [20]	.305 [7.75]	1



NOTES:

1. MATERIAL: FOOT: SANTOPRENE (RMS-42),80 DUROMETER, SHORE A
PIN: POLYPROPYLENE (RMS-126)
2. COLOR: BLACK.
3. SHEAR FORCE: 10 KG MIN.

G			SEE ECN #1271 FOR CHANGES	SK	01/12/07	TITLE: SOFT FAST FEET					DWG IN IN [MM]	
-			SEE ENGINEERING FOR REVISIONS A-F	---	----	CREATED USING SOLIDWORKS	FILE #: SFF	DWN: SK	APP: R.T.	FIINAL		
REV.			DESCRIPTION	ENGR.	DATE	TOLERANCES UNLESS NOTED .XX=±.010 .XXX=±.005 FRAC.=±1/64 ANG.=±1°	SHEET: 1 OF 1	SHEET SIZE: A	DT: 01/12/07	CHKD: D.Z.	PART #	PRINT TYPE
						RE: RICHCO, INC.	RICHCO, INC. ENG@RICHCO-INC.COM (773) 539-4060			SEE TABLE		CA